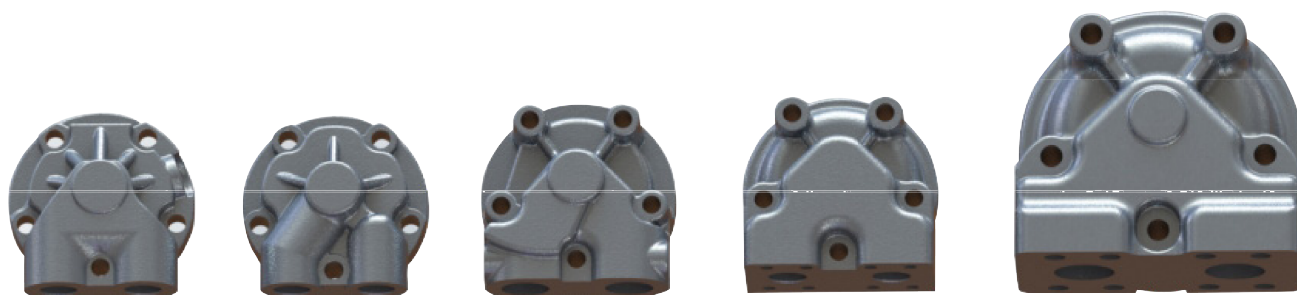


FLOW DISTRIBUTORS



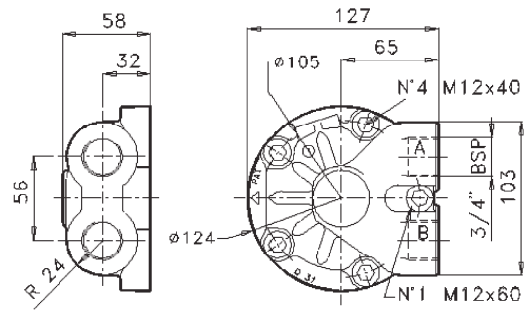
			D31 D310	D31G D40 D47	D75 D90	D90	D200
Speed	[rpm]	cont.	300	1600	700	700	500
		max.	500	2400	1200	1200	1000
Pressure	[bar]	cont.	250	250	250	250	250
		max.	500	500	500	500	500
Flow	[l/min]	cont.	200	200	500	600	1000
		max.	400	400	1000	1200	2000

Upon request, special distributors with integration valve are available. For further information, please contact our technical department.

D31

Distributor with 3/4" BSP ports

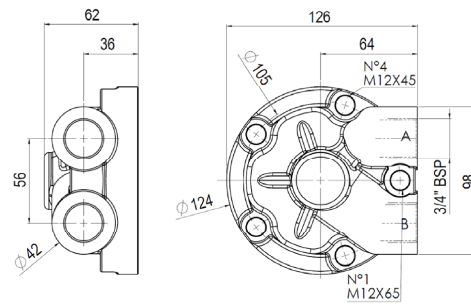
IAM H1 – IAM H2 –
IAM H3 – IAM H4



D31G

**Distributor with 3/4" BSP ports
High speed**

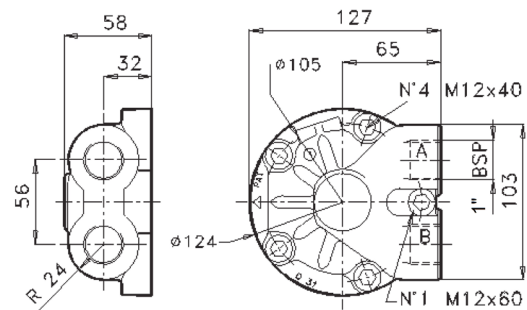
IAM H1 – IAM H2 – IAM H3 –
IAM H4



D310

Distributor with 1" BSP ports

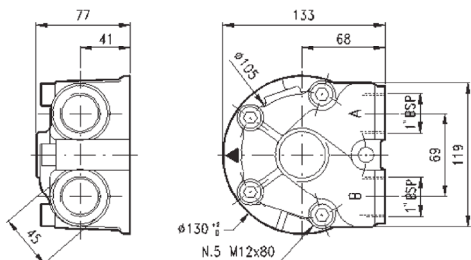
IAM H1 – IAM H2 – IAM H3 –
IAM H4



D40

Distributor with 1" BSP ports

IAM H1 – IAM H2 – IAM H3 –
IAM H4 – IAM H45



D47

Distributor with SAE 1" 3000 psi flanges
 IAM H1 – IAM H2 – IAM H3 – IAM H4 – IAM H45

D75

Distributor with SAE 1 1/2 3000 psi flanges
 IAM H45 - IAM H5 – IAM H6 – IAM H7

D90

Distributor with SAE 1 1/2" 6000 psi flanges
 IAM H5 – IAM H55 – IAM H6 – IAM H7

D200

Distributor with SAE 1 1/2" 6000 psi flanges
 IAM H8